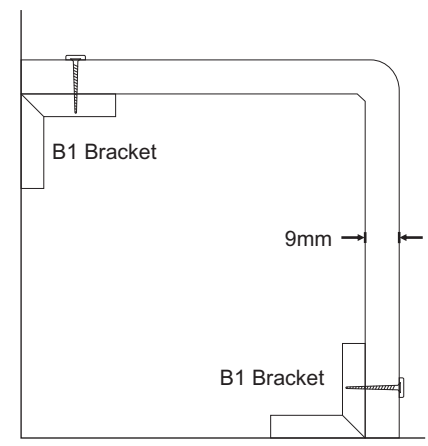


Perspective View (N.T.S.)



Typical Installation Detail (1 : 2)

Brief Specification

Product - Radius Corner L Section Pipe Casing

Core material - 9mm moisture resistant mdf

Finish - Standard White (paintable) or White Gloss

Fittings - See table below

Accessories - Screws, White Caps, Brackets.

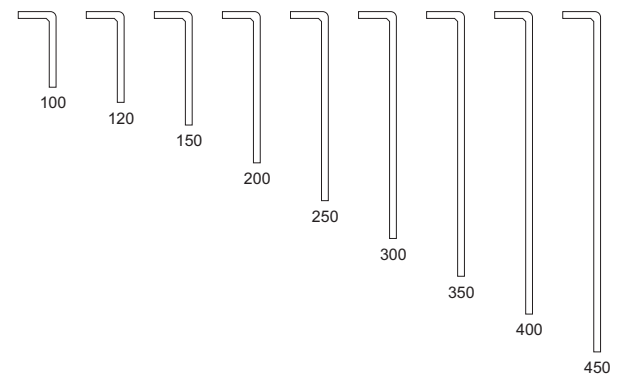
Available Fitting	Maximum Size Limit
Cover Strips	All Sizes
Stop Ends	All Sizes
Inside Corners (standard)	Depth 250mm ; Height 450mm
Inside Corners (reverse angle)	Depth 200mm ; Height 300mm
Outside Corners	Depth 250mm ; Height 450mm



BSMW Products Limited
Birds Royd Lane
Brighouse
West Yorkshire
HD6 1LQ

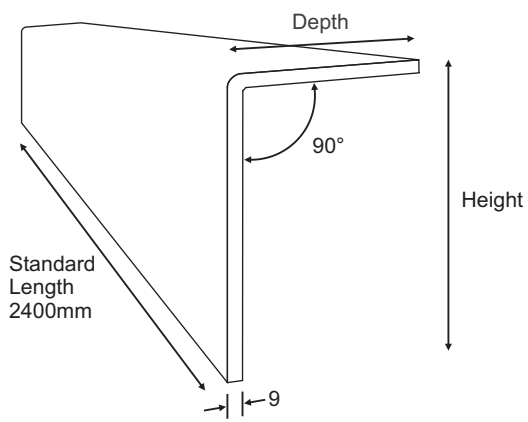
Tel: 01484 713748
Email: sales@pipecasings.co.uk
Web: www.pipecasings.co.uk

Notes

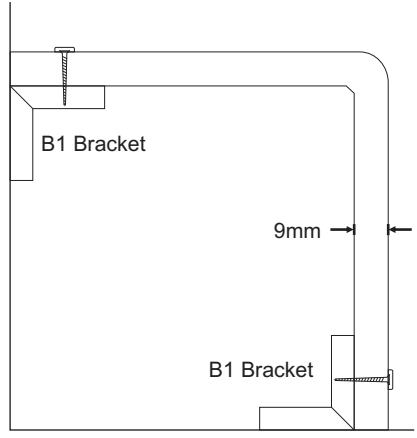


50mm Deep Sections (1 : 10)

Drawing Title		
Zylo Pipe Casing		
L Profile Sections		
Depth - 50mm		
Drawing No.	Revision	
L / 50	-	
Size	Scale	Date
A4	See Drawing	Nov 2016



Perspective View (N.T.S.)



Typical Installation Detail (1 : 2)

Brief Specification

Product - Radius Corner L Section Pipe Casing
Core material - 9mm moisture resistant mdf
Finish - Standard White (paintable) or White Gloss
Fittings - See table below
Accessories - Screws, White Caps, Brackets.

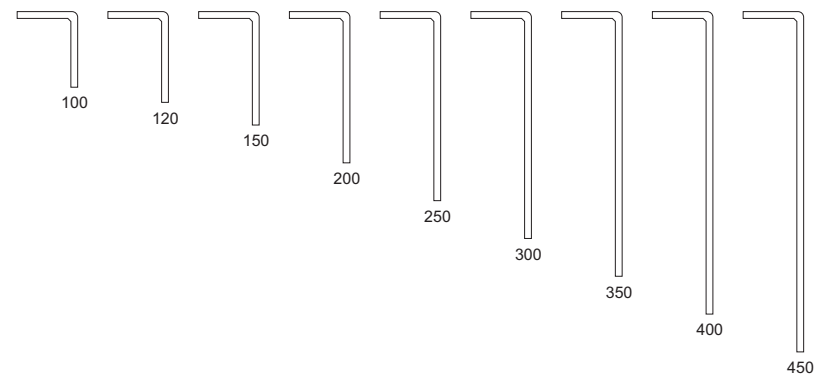
Available Fitting	Maximum Size Limit
Cover Strips	All Sizes
Stop Ends	All Sizes
Inside Corners (standard)	Depth 250mm ; Height 450mm
Inside Corners (reverse angle)	Depth 200mm ; Height 300mm
Outside Corners	Depth 250mm ; Height 450mm



BSMW Products Limited
 Birds Royd Lane
 Brighouse
 West Yorkshire
 HD6 1LQ

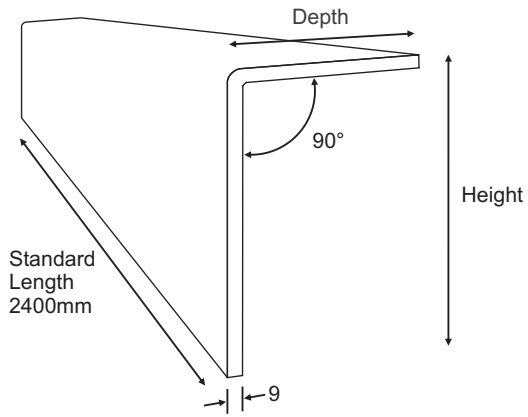
Tel: 01484 713748
 Email: sales@pipecasings.co.uk
 Web: www.pipecasings.co.uk

Notes

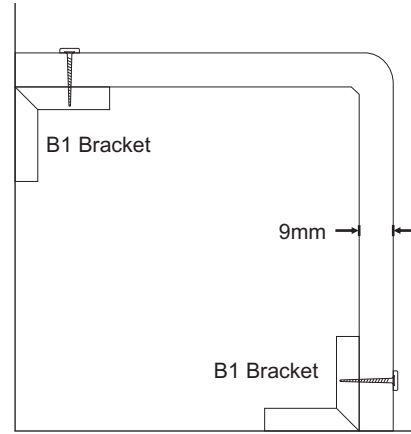


80mm Deep Sections (1 : 10)

Drawing Title		
Zylo Pipe Casing		
L Profile Sections		
Depth - 80mm		
Drawing No.	Revision	
L / 80	-	
Size	Scale	Date
A4	See Drawing	Nov 2016



Perspective View (N.T.S.)



Typical Installation Detail (1 : 2)

Brief Specification

Product - Radius Corner L Section Pipe Casing

Core material - 9mm moisture resistant mdf

Finish - Standard White (paintable) or White Gloss

Fittings - See table below

Accessories - Screws, White Caps, Brackets.

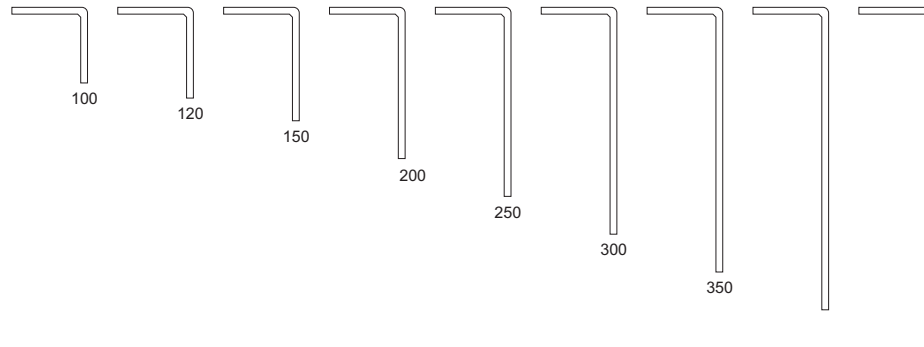
Available Fitting	Maximum Size Limit
Cover Strips	All Sizes
Stop Ends	All Sizes
Inside Corners (standard)	Depth 250mm ; Height 450mm
Inside Corners (reverse angle)	Depth 200mm ; Height 300mm
Outside Corners	Depth 250mm ; Height 450mm



BSMW Products Limited
Birds Royd Lane
Brighouse
West Yorkshire
HD6 1LQ

Tel: 01484 713748
Email: sales@pipecasings.co.uk
Web: www.pipecasings.co.uk

Notes



100mm Deep Sections (1 : 10)

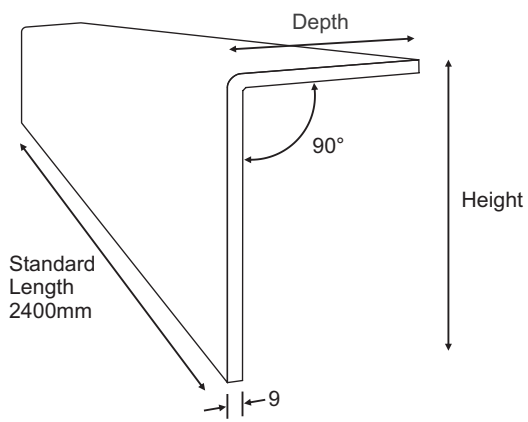
Drawing Title

Zylo Pipe Casing

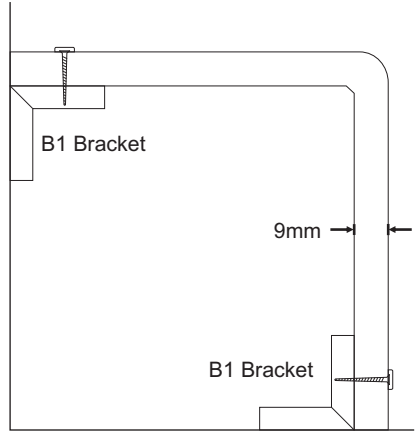
L Profile Sections

Depth - 100mm

Drawing No. L / 100		Revision -
Size A4	Scale See Drawing	Date Nov 2016



Perspective View (N.T.S.)



Typical Installation Detail (1 : 2)

Brief Specification

Product - Radius Corner L Section Pipe Casing
Core material - 9mm moisture resistant mdf
Finish - Standard White (paintable) or White Gloss
Fittings - See table below
Accessories - Screws, White Caps, Brackets.

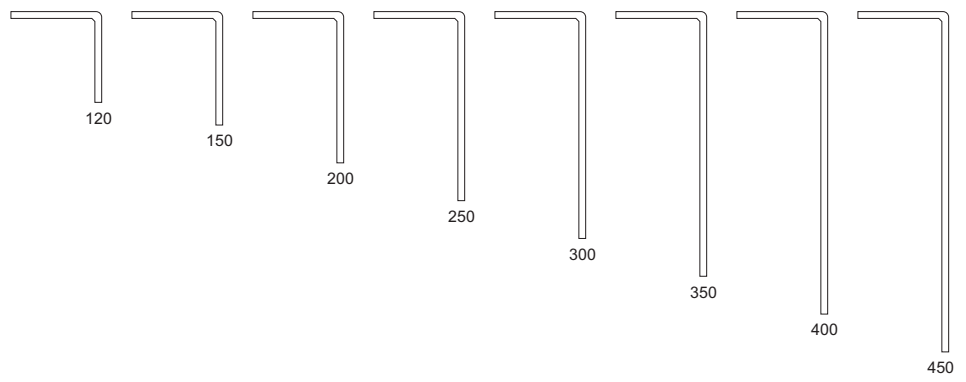
Available Fitting	Maximum Size Limit
Cover Strips	All Sizes
Stop Ends	All Sizes
Inside Corners (standard)	Depth 250mm ; Height 450mm
Inside Corners (reverse angle)	Depth 200mm ; Height 300mm
Outside Corners	Depth 250mm ; Height 450mm



BSMW Products Limited
 Birds Royd Lane
 Brighouse
 West Yorkshire
 HD6 1LQ

Tel: 01484 713748
 Email: sales@pipecasings.co.uk
 Web: www.pipecasings.co.uk

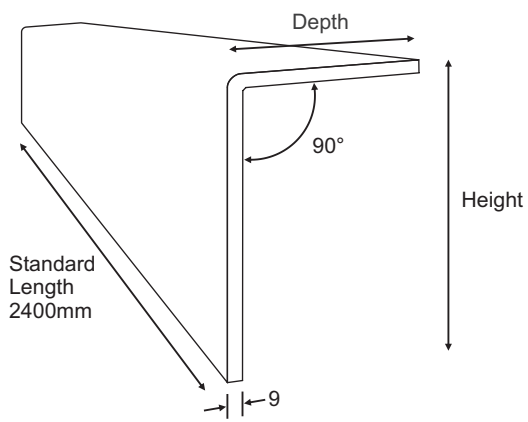
Notes



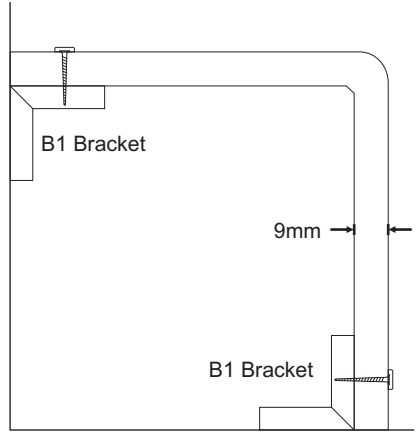
120mm Deep Sections (1 : 10)

Drawing Title
Zylo Pipe Casing
L Profile Sections
Depth - 120mm

Drawing No. L / 120		Revision -
Size A4	Scale See Drawing	Date Nov 2016



Perspective View (N.T.S.)



Typical Installation Detail (1 : 2)

Brief Specification

Product - Radius Corner L Section Pipe Casing
Core material - 9mm moisture resistant mdf
Finish - Standard White (paintable) or White Gloss
Fittings - See table below
Accessories - Screws, White Caps, Brackets.

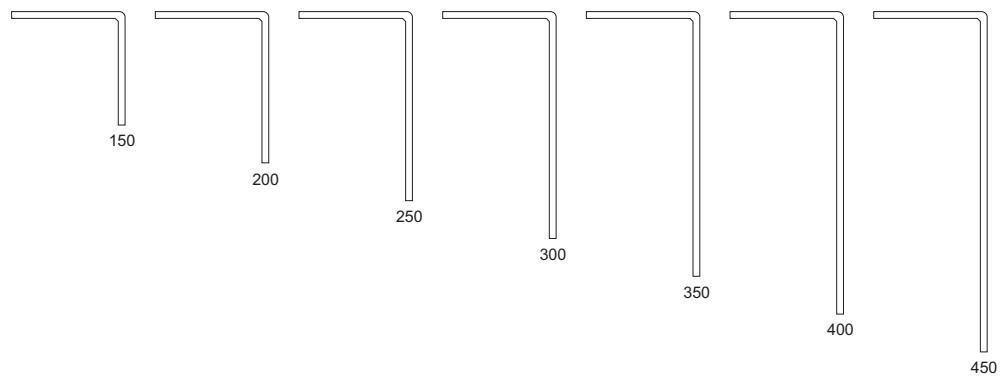
Available Fitting	Maximum Size Limit
Cover Strips	All Sizes
Stop Ends	All Sizes
Inside Corners (standard)	Depth 250mm ; Height 450mm
Inside Corners (reverse angle)	Depth 200mm ; Height 300mm
Outside Corners	Depth 250mm ; Height 450mm



BSMW Products Limited
 Birds Royd Lane
 Brighouse
 West Yorkshire
 HD6 1LQ

Tel: 01484 713748
 Email: sales@pipecasings.co.uk
 Web: www.pipecasings.co.uk

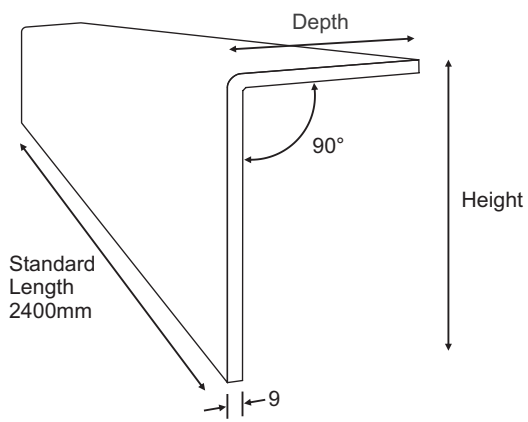
Notes



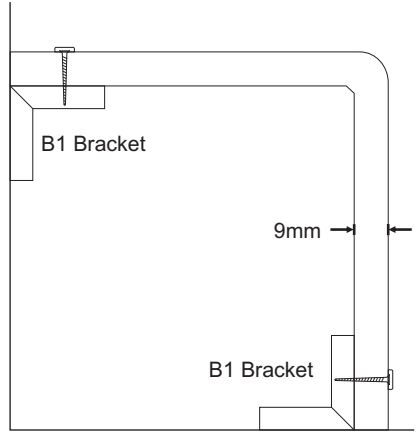
150mm Deep Sections (1 : 10)

Drawing Title
Zylo Pipe casing
L Profile Sections
Depth - 150mm

Drawing No. L / 150		Revision -
Size A4	Scale See Drawing	Date Nov 2016



Perspective View (N.T.S.)



Typical Installation Detail (1 : 2)

Brief Specification

Product - Radius Corner L Section Pipe Casing
Core material - 9mm moisture resistant mdf
Finish - Standard White (paintable) or White Gloss
Fittings - See table below
Accessories - Screws, White Caps, Brackets.

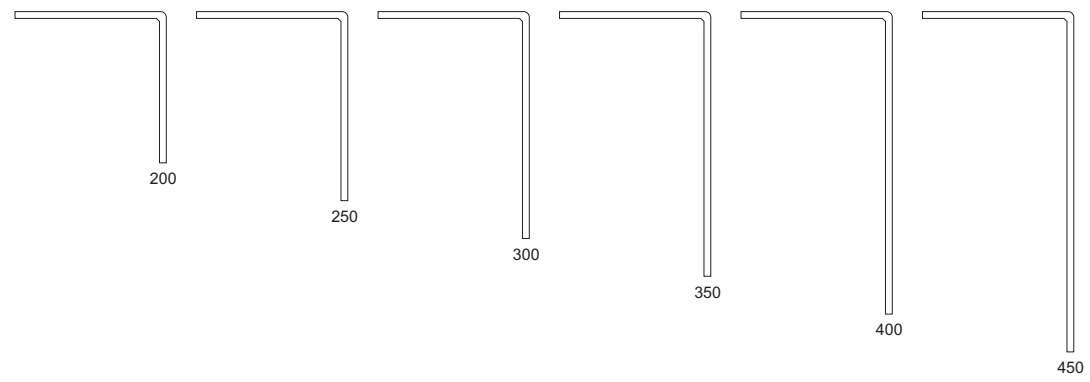
Available Fitting	Maximum Size Limit
Cover Strips	All Sizes
Stop Ends	All Sizes
Inside Corners (standard)	Depth 250mm ; Height 450mm
Inside Corners (reverse angle)	Depth 200mm ; Height 300mm
Outside Corners	Depth 250mm ; Height 450mm



BSMW Products Limited
 Birds Royd Lane
 Brighouse
 West Yorkshire
 HD6 1LQ

Tel: 01484 713748
 Email: sales@pipecasings.co.uk
 Web: www.pipecasings.co.uk

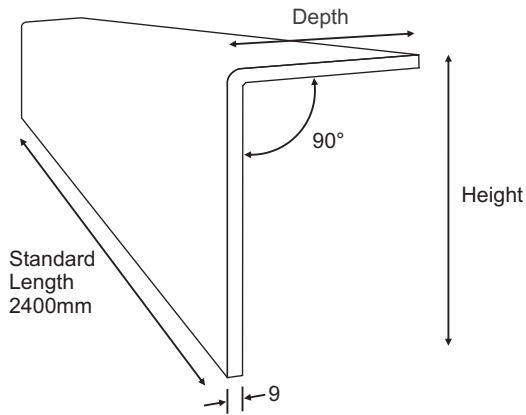
Notes



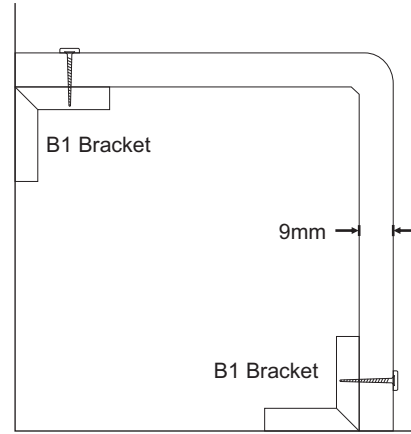
200mm Deep Sections (1 : 10)

Drawing Title
Zylo Pipe casing
L Profile Sections
Depth - 200mm

Drawing No. L / 200		Revision -
Size A4	Scale See Drawing	Date Nov 2016



Perspective View (N.T.S.)



Typical Installation Detail (1 : 2)

Brief Specification

Product - Radius Corner L Section Pipe Casing

Core material - 9mm moisture resistant mdf

Finish - Standard White (paintable) or White Gloss

Fittings - See table below

Accessories - Screws, White Caps, Brackets.

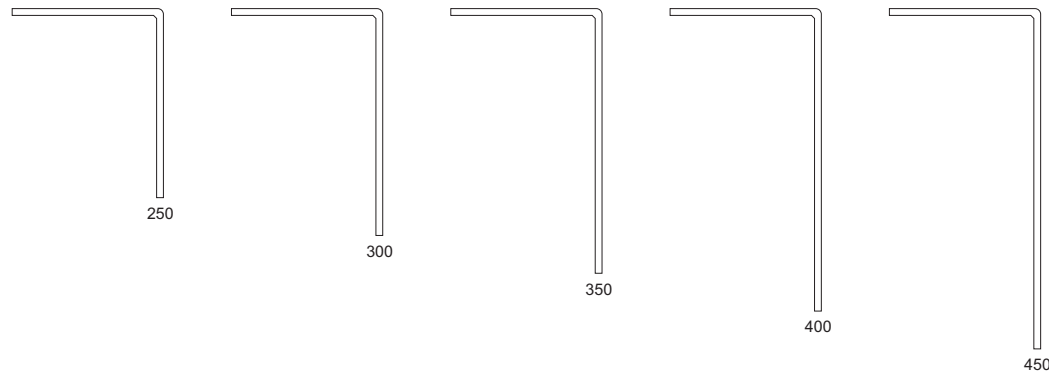
Available Fitting	Maximum Size Limit
Cover Strips	All Sizes
Stop Ends	All Sizes
Inside Corners (standard)	Depth 250mm ; Height 450mm
Inside Corners (reverse angle)	Depth 200mm ; Height 300mm
Outside Corners	Depth 250mm ; Height 450mm



BSMW Products Limited
Birds Royd Lane
Brighouse
West Yorkshire
HD6 1LQ

Tel: 01484 713748
Email: sales@pipecasings.co.uk
Web: www.pipecasings.co.uk

Notes



250mm Deep Sections (1 : 10)

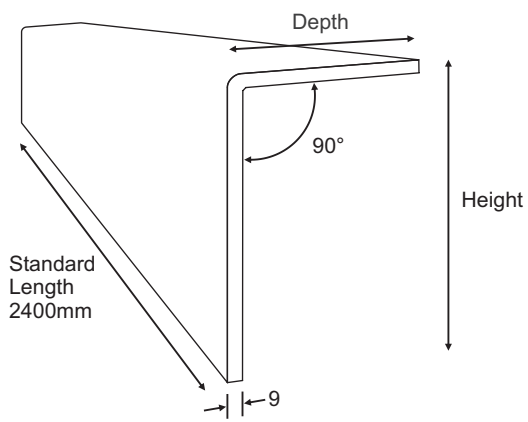
Drawing Title

Zylo Pipe casing

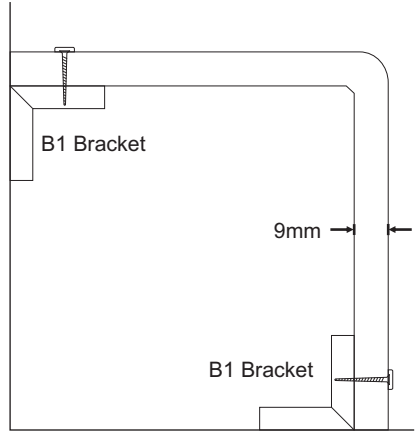
L Profile Sections

Depth - 250mm

Drawing No. L / 250		Revision -
Size A4	Scale See Drawing	Date Nov 2016



Perspective View (N.T.S.)



Typical Installation Detail (1 : 2)

Brief Specification

Product - Radius Corner L Section Pipe Casing
Core material - 9mm moisture resistant mdf
Finish - Standard White (paintable) or White Gloss
Fittings - See table below
Accessories - Screws, White Caps, Brackets.

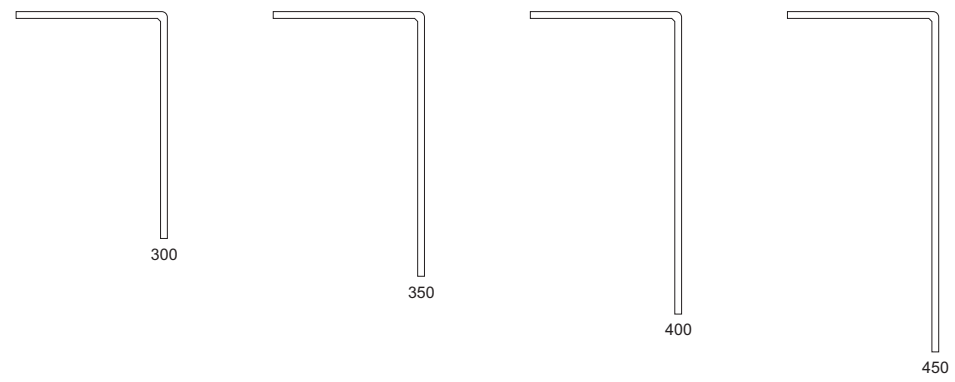
Available Fitting	Maximum Size Limit
Cover Strips	All Sizes
Stop Ends	All Sizes
Inside Corners (standard)	Depth 250mm ; Height 450mm
Inside Corners (reverse angle)	Depth 200mm ; Height 300mm
Outside Corners	Depth 250mm ; Height 450mm



BSMW Products Limited
 Birds Royd Lane
 Brighouse
 West Yorkshire
 HD6 1LQ

Tel: 01484 713748
 Email: sales@pipecasings.co.uk
 Web: www.pipecasings.co.uk

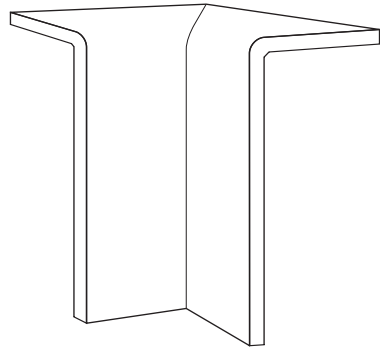
Notes



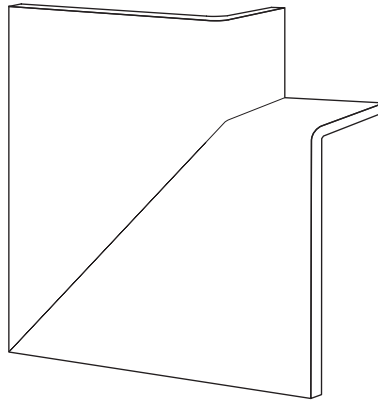
300mm Deep Sections (1 : 10)

Drawing Title
Zylo Pipe casing
L Profile Sections
Depth - 300mm

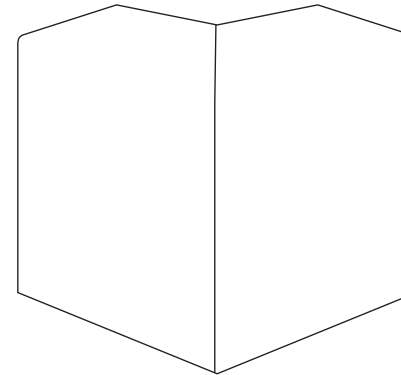
Drawing No. L / 300		Revision -
Size A4	Scale See Drawing	Date Nov 2016



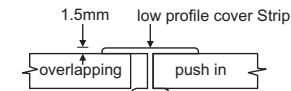
**Inside Corner
(Standard)**



**Inside Corner
(Reverse Angle)**

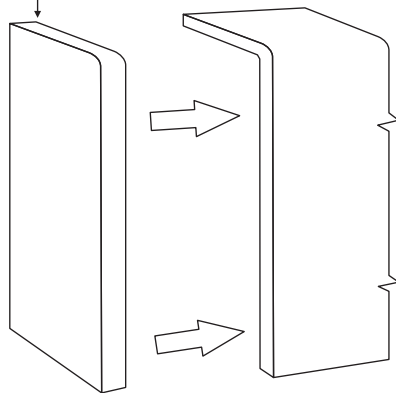


Outside Corner



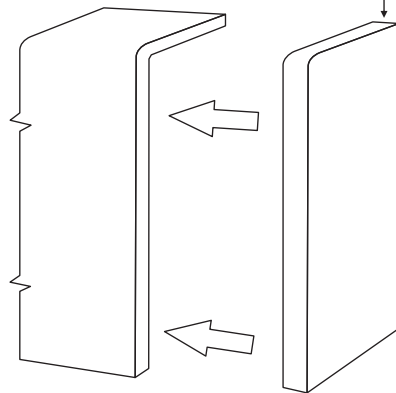
Cover Strip Joint Detail (1 : 2)

Aluminium
Cover Strip
Edging



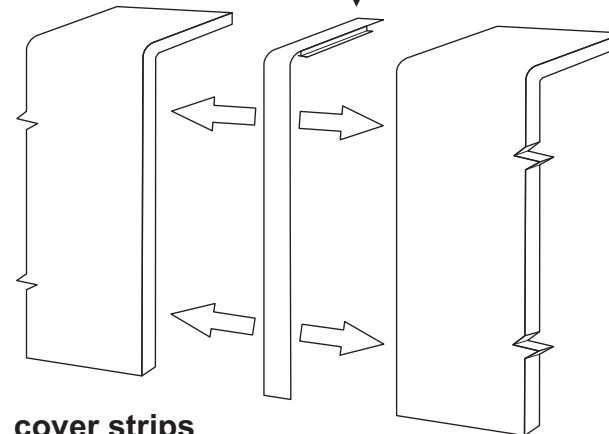
Stop End (lhs)

Aluminium
Cover Strip
Edging



Stop End (rhs)

Aluminium
Cover Strip



cover strips

Notes

Drawing Title

Zylo Pipe Casing

L Profile Sections

Fitting Details

Drawing No. L / Fittings	Revision -
------------------------------------	---------------

Size A4	Scale N.T.S.	Date Nov 2016
-------------------	------------------------	-------------------------