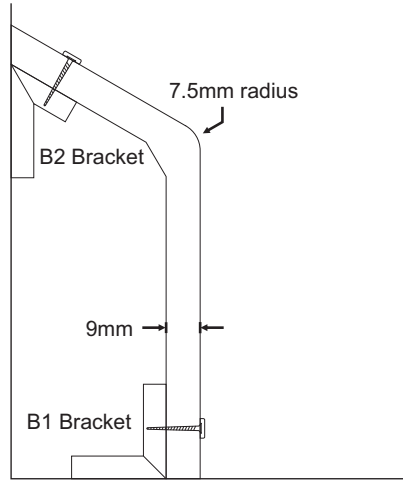


Depth	H2
50	29
80	46
100	58
120	69
150	86
200	116

Perspective View (N.T.S.)



Typical Installation Detail (1 :2)

Brief Specification

Product - Radius Corner R Section Pipe Casing

Core material - 9mm moisture resistant mdf

Finish - Standard White (paintable) or White Gloss

Fittings - See table below

Accessories - Screws, White Caps, Brackets.

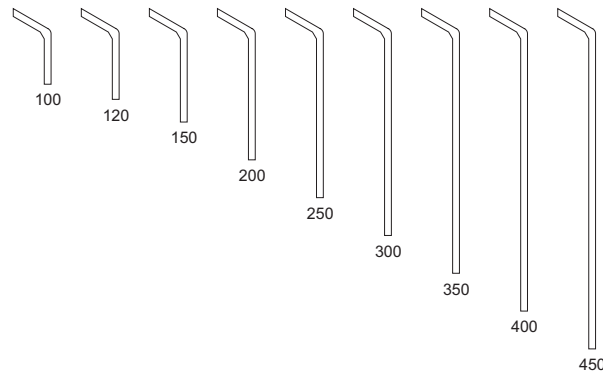
Available Fitting	Maximum Size Limit
Cover Strips	All Sizes
Stop Ends	All Sizes
Inside Corners (standard)	All Sizes
Inside Corners (reverse angle)	Depth 200mm ; Height 300mm
Outside Corners	All Sizes



BSMW Products Limited
Birds Royd Lane
Brighouse
West Yorkshire
HD6 1LQ

Tel: 01484 713748
Email: sales@pipecasings.co.uk
Web: www.pipecasings.co.uk

Notes



50mm Deep Sections (1 : 10)

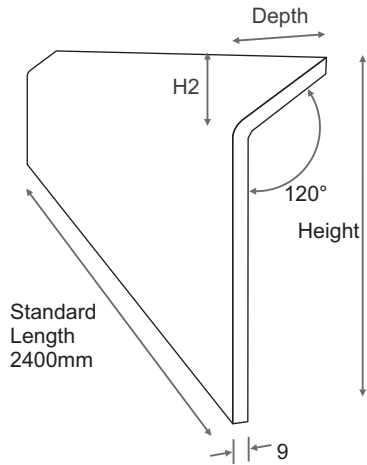
Drawing Title

Zylo Pipe Casing

R Profile Sections

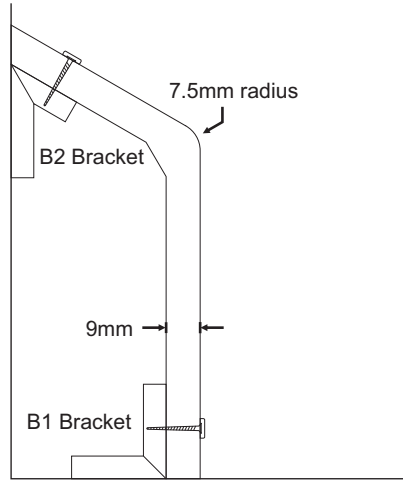
Depth - 50mm

Drawing No. R / 50		Revision -
Size A4	Scale See Drawing	Date Nov 2016



Depth	H2
50	29
80	46
100	58
120	69
150	86
200	116

Perspective View (N.T.S.)



Typical Installation Detail (1 :2)

Brief Specification

Product - Radius Corner R Section Pipe Casing

Core material - 9mm moisture resistant mdf

Finish - Standard White (paintable) or White Gloss

Fittings - See table below

Accessories - Screws, White Caps, Brackets.

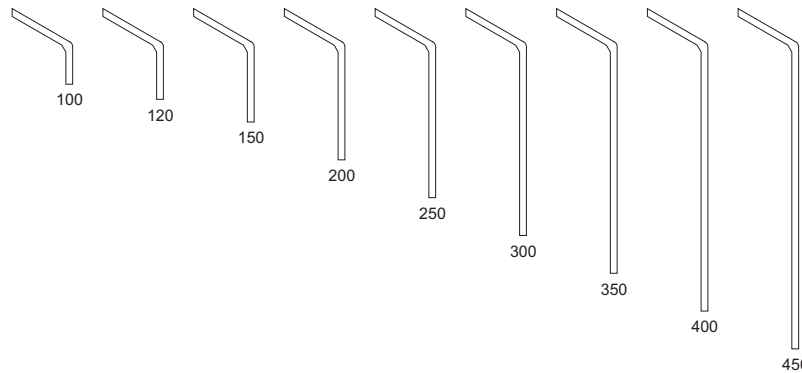
Available Fitting	Maximum Size Limit
Cover Strips	All Sizes
Stop Ends	All Sizes
Inside Corners (standard)	All Sizes
Inside Corners (reverse angle)	Depth 200mm ; Height 300mm
Outside Corners	All Sizes



BSMW Products Limited
Birds Royd Lane
Brighouse
West Yorkshire
HD6 1LQ

Tel: 01484 713748
Email: sales@pipecasings.co.uk
Web: www.pipecasings.co.uk

Notes



80mm Deep Sections (1 : 10)

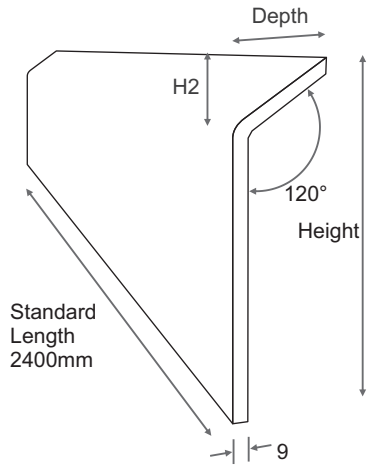
Drawing Title

Zylo Pipe Casing

R Profile Sections

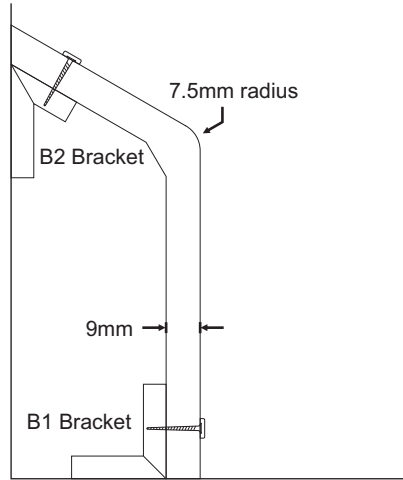
Depth - 80mm

Drawing No. R / 80		Revision -
Size A4	Scale See Drawing	Date Nov 2016



Depth	H2
50	29
80	46
100	58
120	69
150	86
200	116

Perspective View (N.T.S.)



Typical Installation Detail (1 : 2)

Brief Specification

Product - Radius Corner R Section Pipe Casing

Core material - 9mm moisture resistant mdf

Finish - Standard White (paintable) or White Gloss

Fittings - See table below

Accessories - Screws, White Caps, Brackets.

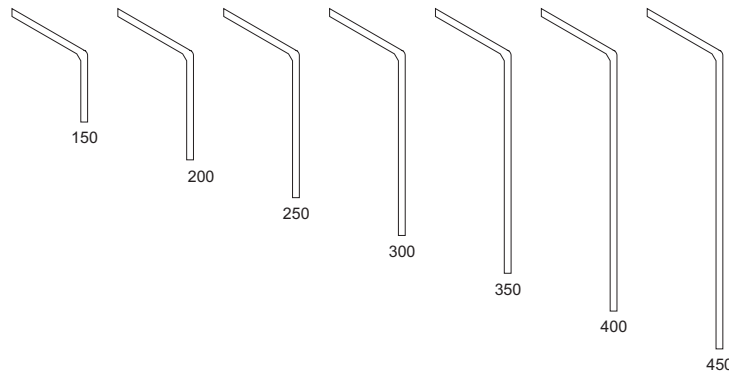
Available Fitting	Maximum Size Limit
Cover Strips	All Sizes
Stop Ends	All Sizes
Inside Corners (standard)	All Sizes
Inside Corners (reverse angle)	Depth 200mm ; Height 300mm
Outside Corners	All Sizes



BSMW Products Limited
Birds Royd Lane
Brighouse
West Yorkshire
HD6 1LQ

Tel: 01484 713748
Email: sales@pipecasings.co.uk
Web: www.pipecasings.co.uk

Notes

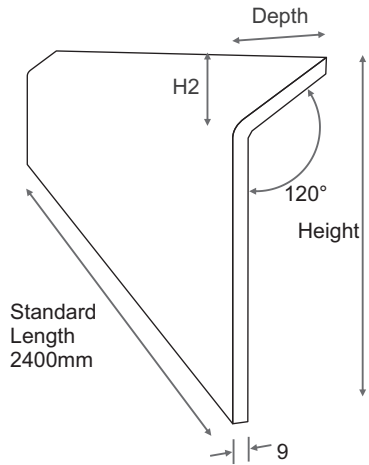


100mm Deep Sections (1 : 10)

Drawing Title

Zylo Pipe Casing
R Profile Sections
Depth - 100mm

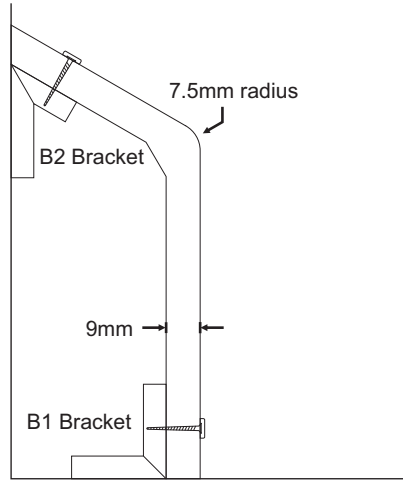
Drawing No. R / 100		Revision -
Size A4	Scale See Drawing	Date Nov 2016



Depth	H2
50	29
80	46
100	58
120	69
150	86
200	116

Perspective View (N.T.S.)

Standard Length
2400mm



Typical Installation Detail (1 : 2)

Brief Specification

Product - Radius Corner R Section Pipe Casing

Core material - 9mm moisture resistant mdf

Finish - Standard White (paintable) or White Gloss

Fittings - See table below

Accessories - Screws, White Caps, Brackets.

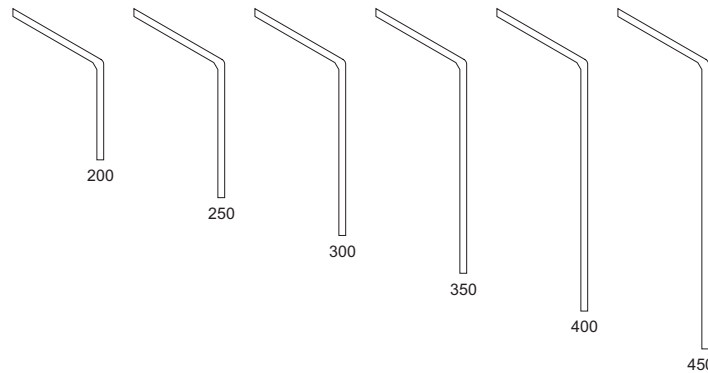
Available Fitting	Maximum Size Limit
Cover Strips	All Sizes
Stop Ends	All Sizes
Inside Corners (standard)	All Sizes
Inside Corners (reverse angle)	Depth 200mm ; Height 300mm
Outside Corners	All Sizes



BSMW Products Limited
Birds Royd Lane
Brighouse
West Yorkshire
HD6 1LQ

Tel: 01484 713748
Email: sales@pipecasings.co.uk
Web: www.pipecasings.co.uk

Notes

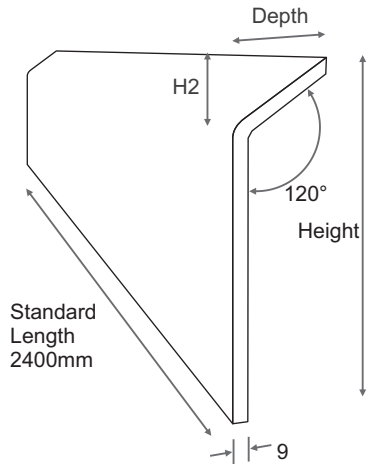


120mm Deep Sections (1 : 10)

Drawing Title

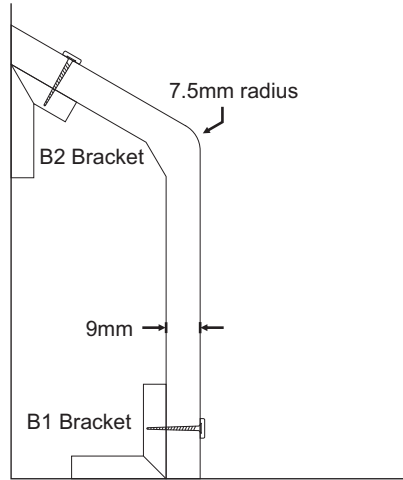
Zylo Pipe Casing
R Profile Sections
Depth - 120mm

Drawing No. R / 120		Revision -
Size A4	Scale See Drawing	Date Nov 2016



Depth	H2
50	29
80	46
100	58
120	69
150	86
200	116

Perspective View (N.T.S.)



Typical Installation Detail (1 : 2)

Brief Specification

Product - Radius Corner R Section Pipe Casing

Core material - 9mm moisture resistant mdf

Finish - Standard White (paintable) or White Gloss

Fittings - See table below

Accessories - Screws, White Caps, Brackets.

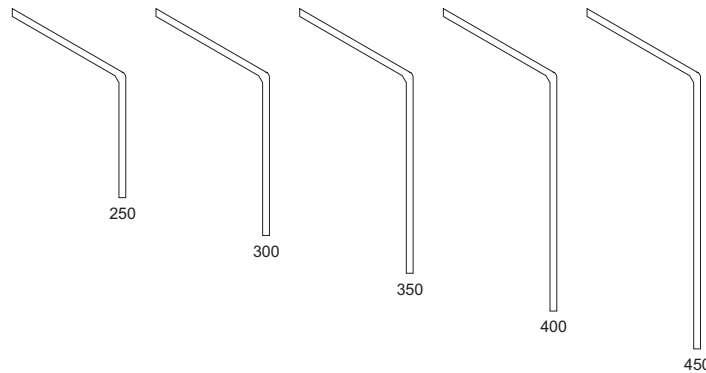
Available Fitting	Maximum Size Limit
Cover Strips	All Sizes
Stop Ends	All Sizes
Inside Corners (standard)	All Sizes
Inside Corners (reverse angle)	Depth 200mm ; Height 300mm
Outside Corners	All Sizes



BSMW Products Limited
Birds Royd Lane
Brighouse
West Yorkshire
HD6 1LQ

Tel: 01484 713748
Email: sales@pipecasings.co.uk
Web: www.pipecasings.co.uk

Notes

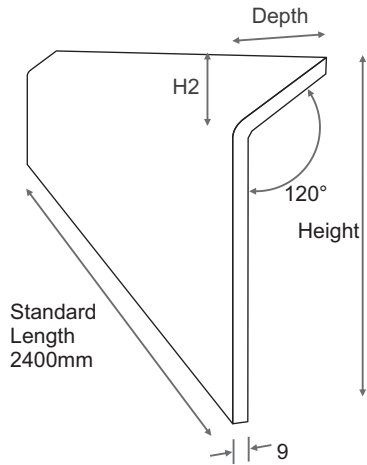


150mm Deep Sections (1 : 10)

Drawing Title

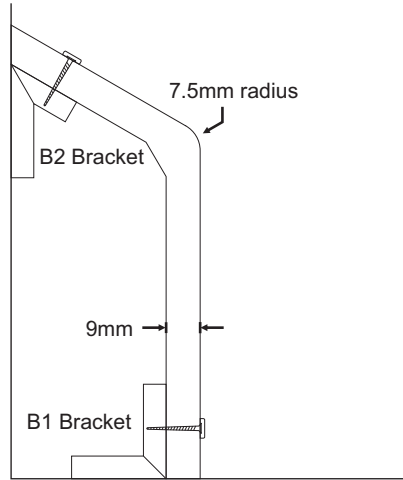
Zylo Pipe Casing
R Profile Sections
Depth - 150mm

Drawing No. R / 150		Revision -
Size A4	Scale See Drawing	Date Nov 2016



Depth	H2
50	29
80	46
100	58
120	69
150	86
200	116

Perspective View (N.T.S.)



Typical Installation Detail (1 :2)

Brief Specification

Product - Radius Corner R Section Pipe Casing

Core material - 9mm moisture resistant mdf

Finish - Standard White (paintable) or White Gloss

Fittings - See table below

Accessories - Screws, White Caps, Brackets.

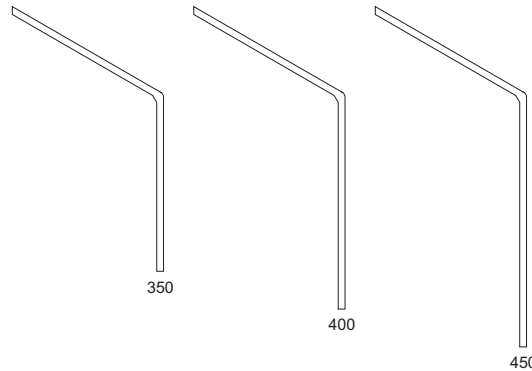
Available Fitting	Maximum Size Limit
Cover Strips	All Sizes
Stop Ends	All Sizes
Inside Corners (standard)	All Sizes
Inside Corners (reverse angle)	Depth 200mm ; Height 300mm
Outside Corners	All Sizes



BSMW Products Limited
Birds Royd Lane
Brighouse
West Yorkshire
HD6 1LQ

Tel: 01484 713748
Email: sales@pipecasings.co.uk
Web: www.pipecasings.co.uk

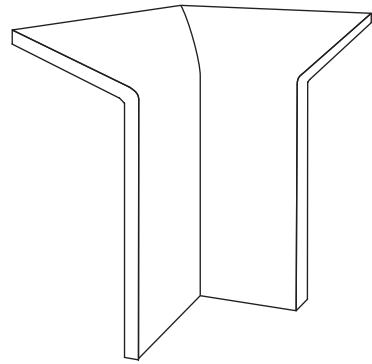
Notes



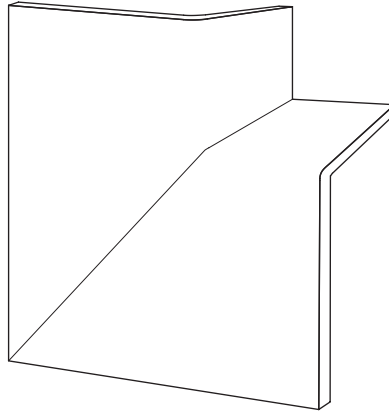
200mm Deep Sections (1 : 10)

Drawing Title
Zylo Pipe Casing
R Profile Sections
Depth - 200mm

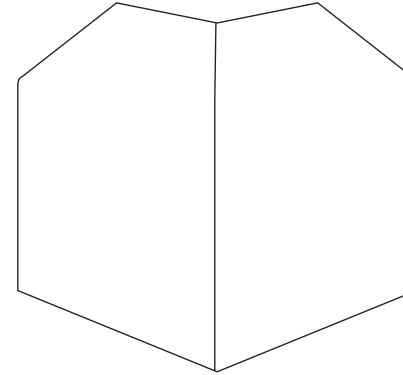
Drawing No. R / 200		Revision -
Size A4	Scale See Drawing	Date Nov 2016



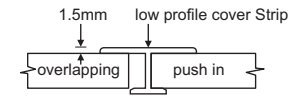
**Inside Corner
(Standard)**



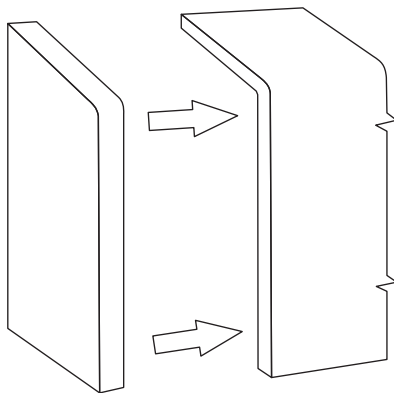
**Inside Corner
(Reverse Angle)**



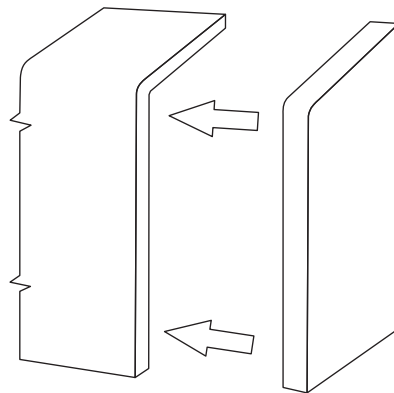
Outside Corner



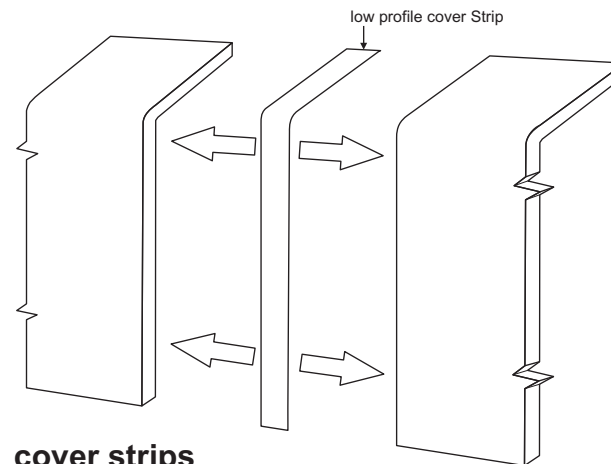
Cover Strip Joint Detail (1 : 2)



Stop End (lhs)



Stop End (rhs)



cover strips

Drawing Title

**Zylo Pipe Casing
R Profile Sections
Fitting Details**

Drawing No. R / Fittings	Revision -
------------------------------------	---------------

Size A4	Scale N.T.S.	Date Nov 2016
-------------------	------------------------	-------------------------