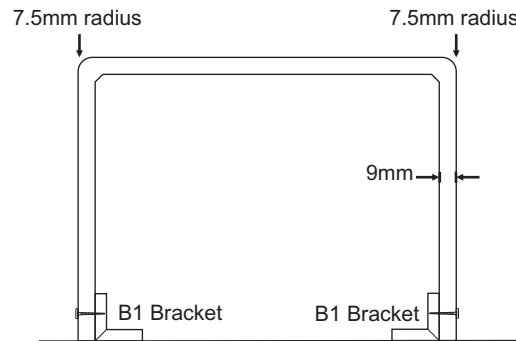


Perspective View (N.T.S.)



Typical Installation Detail (1 : 4)

Brief Specification

Product - Radius Corner U Section Pipe Casing

Core material - 9mm moisture resistant mdf

Finish - Standard White (paintable) or White Gloss

Fittings - See table below

Accessories - Screws, White Caps, Brackets.

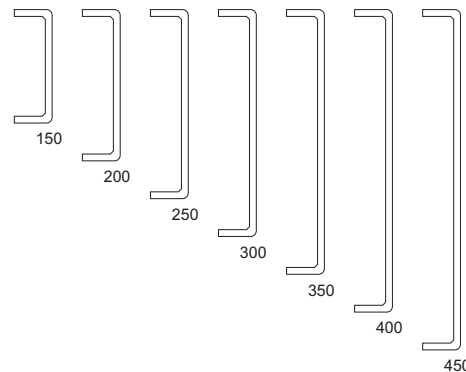
Available Fitting	Maximum Size Limit
Cover Strips	All Sizes
Stop Ends	All Sizes
Inside Corners (standard)	Depth 250mm ; Height 450mm
Inside Corners (reverse angle)	Depth 200mm ; Height 300mm
Outside Corners	Depth 250mm ; Height 450mm



BSMW Products Limited
Birds Royd Lane
Brighouse
West Yorkshire
HD6 1LQ

Tel: 01484 713748
Email: sales@pipecasings.co.uk
Web: www.pipecasings.co.uk

Notes

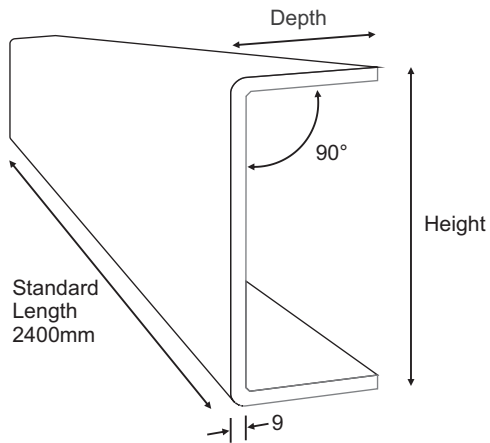


50mm Deep Sections (1 : 10)

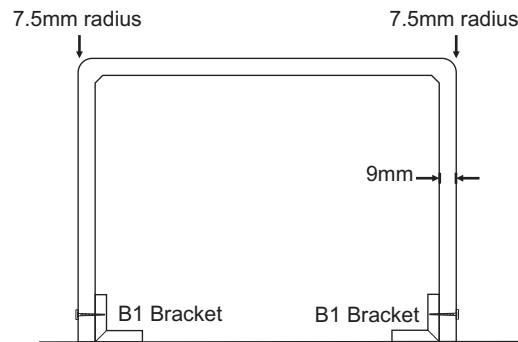
Drawing Title

Zylo Pipe Casing
U Profile Sections
50mm Deep

Drawing No. U / 50		Revision -
Size A4	Scale See Drawing	Date Nov 2016



Perspective View (N.T.S.)



Typical Installation Detail (1 : 4)

Brief Specification

Product - Radius Corner U Section Pipe Casing

Core material - 9mm moisture resistant mdf

Finish - Standard White (paintable) or White Gloss

Fittings - See table below

Accessories - Screws, White Caps, Brackets.

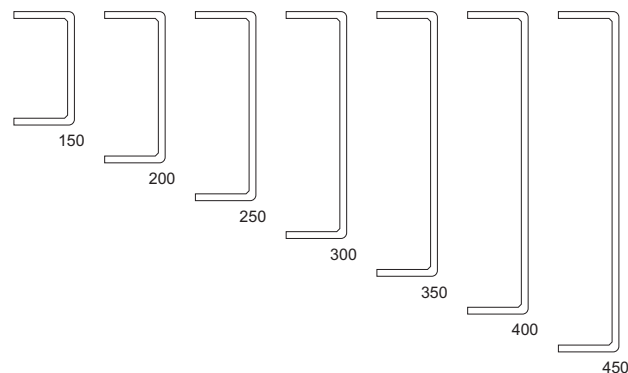
Available Fitting	Maximum Size Limit
Cover Strips	All Sizes
Stop Ends	All Sizes
Inside Corners (standard)	Depth 250mm ; Height 450mm
Inside Corners (reverse angle)	Depth 200mm ; Height 300mm
Outside Corners	Depth 250mm ; Height 450mm



BSMW Products Limited
Birds Royd Lane
Brighouse
West Yorkshire
HD6 1LQ

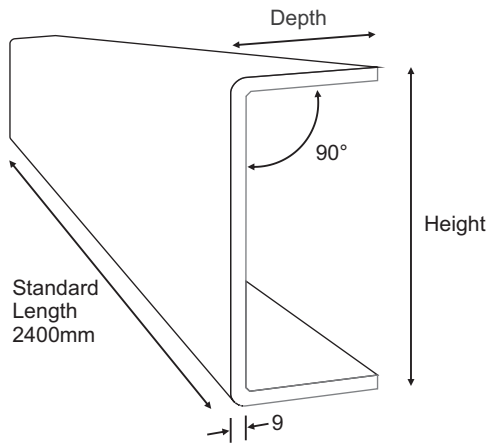
Tel: 01484 713748
Email: sales@pipecasings.co.uk
Web: www.pipecasings.co.uk

Notes

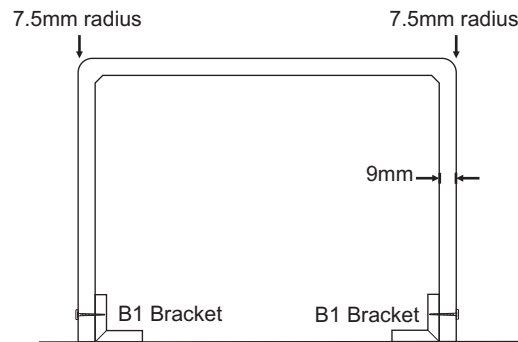


80mm Deep Sections (1 : 10)

Drawing Title		
Zylo Pipe Casing		
U Profile Sections		
80mm Deep		
Drawing No.	Revision	
U / 80	-	
Size	Scale	Date
A4	See Drawing	Nov 2016



Perspective View (N.T.S.)



Typical Installation Detail (1 : 4)

Brief Specification

Product - Radius Corner U Section Pipe Casing

Core material - 9mm moisture resistant mdf

Finish - Standard White (paintable) or White Gloss

Fittings - See table below

Accessories - Screws, White Caps, Brackets.

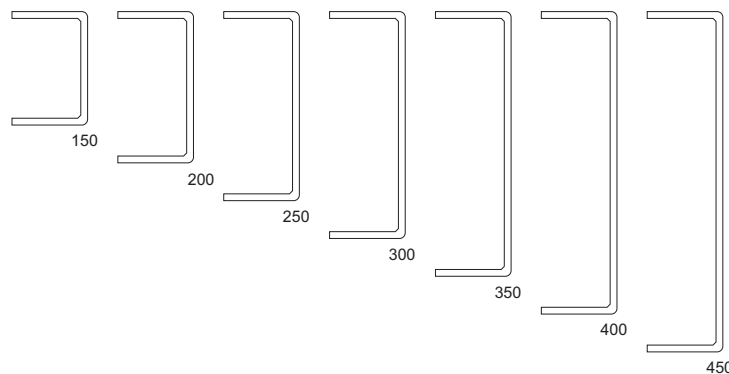
Available Fitting	Maximum Size Limit
Cover Strips	All Sizes
Stop Ends	All Sizes
Inside Corners (standard)	Depth 250mm ; Height 450mm
Inside Corners (reverse angle)	Depth 200mm ; Height 300mm
Outside Corners	Depth 250mm ; Height 450mm



BSMW Products Limited
Birds Royd Lane
Brighouse
West Yorkshire
HD6 1LQ

Tel: 01484 713748
Email: sales@pipecasings.co.uk
Web: www.pipecasings.co.uk

Notes

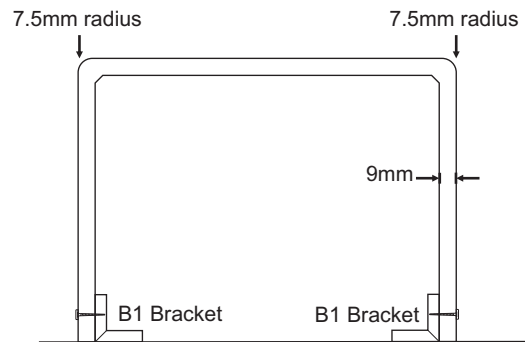
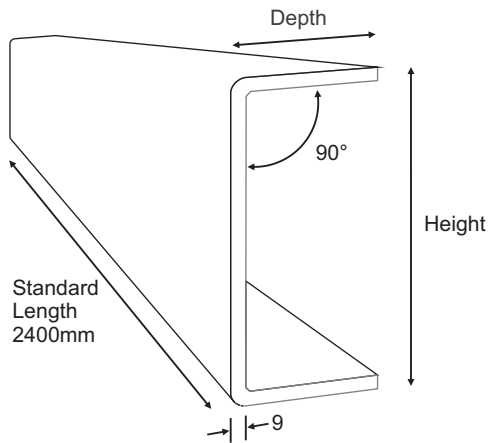


100mm Deep Sections (1 : 10)

Drawing Title

Zylo Pipe Casing
U Profile Sections
100mm Deep

Drawing No. U / 100		Revision -
Size A4	Scale See Drawing	Date Nov 2016



Typical Installation Detail (1 : 4)

Brief Specification

Product - Radius Corner U Section Pipe Casing

Core material - 9mm moisture resistant mdf

Finish - Standard White (paintable) or White Gloss

Fittings - See table below

Accessories - Screws, White Caps, Brackets.

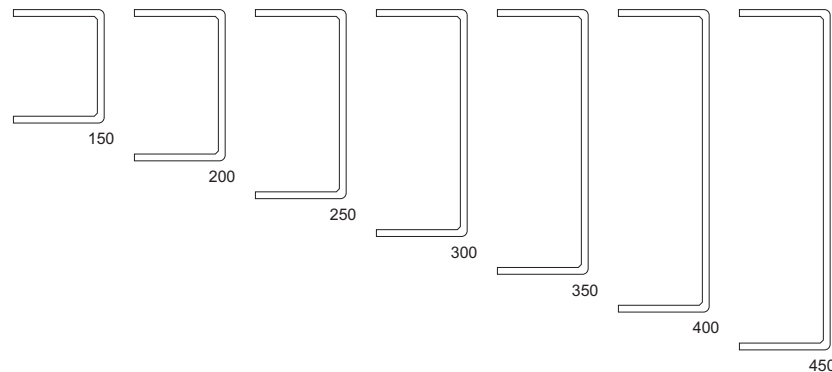
Available Fitting	Maximum Size Limit
Cover Strips	All Sizes
Stop Ends	All Sizes
Inside Corners (standard)	Depth 250mm ; Height 450mm
Inside Corners (reverse angle)	Depth 200mm ; Height 300mm
Outside Corners	Depth 250mm ; Height 450mm



BSMW Products Limited
Birds Royd Lane
Brighouse
West Yorkshire
HD6 1LQ

Tel: 01484 713748
Email: sales@pipecasings.co.uk
Web: www.pipecasings.co.uk

Notes

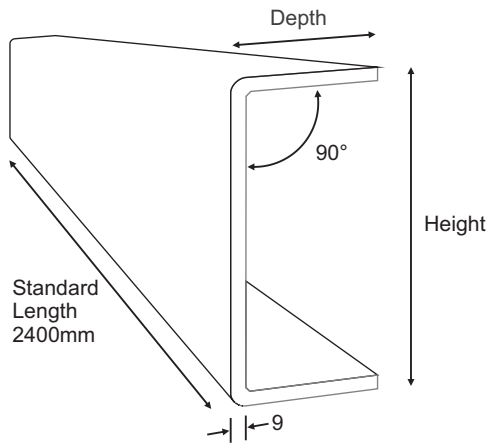


120mm Deep Sections (1 : 10)

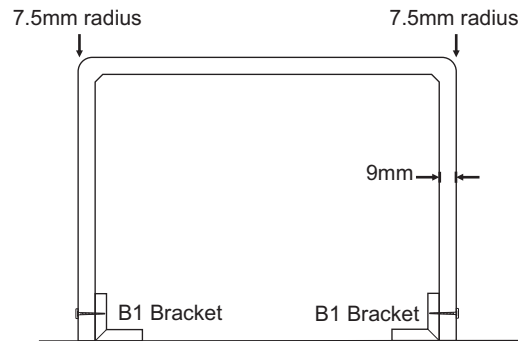
Drawing Title

Zylo Pipe Casing
U Profile Sections
120mm Deep

Drawing No. U / 120		Revision -
Size A4	Scale See Drawing	Date Nov 2016



Perspective View (N.T.S.)



Typical Installation Detail (1 : 4)

Brief Specification

Product - Radius Corner U Section Pipe Casing

Core material - 9mm moisture resistant mdf

Finish - Standard White (paintable) or White Gloss

Fittings - See table below

Accessories - Screws, White Caps, Brackets.

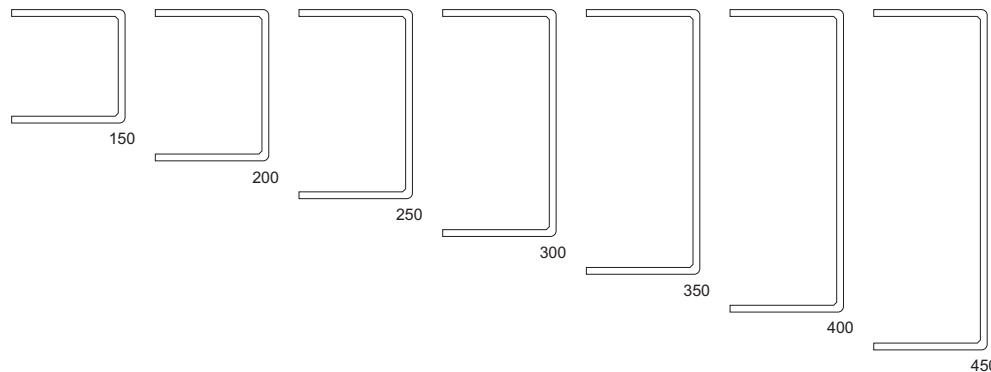
Available Fitting	Maximum Size Limit
Cover Strips	All Sizes
Stop Ends	All Sizes
Inside Corners (standard)	Depth 250mm ; Height 450mm
Inside Corners (reverse angle)	Depth 200mm ; Height 300mm
Outside Corners	Depth 250mm ; Height 450mm



BSMW Products Limited
Birds Royd Lane
Brighouse
West Yorkshire
HD6 1LQ

Tel: 01484 713748
Email: sales@pipecasings.co.uk
Web: www.pipecasings.co.uk

Notes

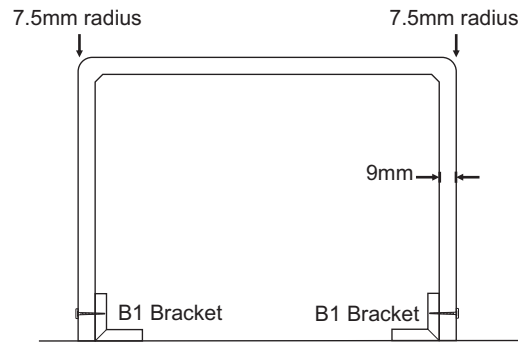
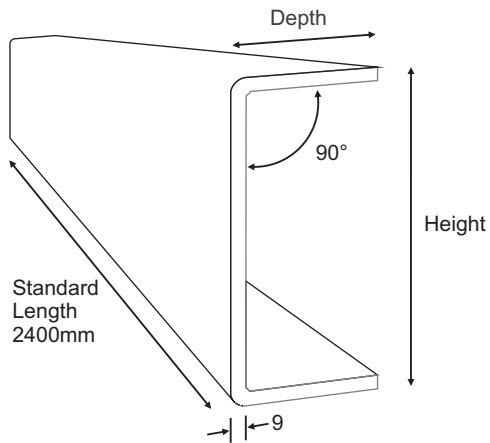


150mm Deep Sections (1 : 10)

Drawing Title

Zylo Pipe Casing
U Profile Sections
150mm Deep

Drawing No. U / 150		Revision -
Size A4	Scale See Drawing	Date Nov 2016



Typical Installation Detail (1 : 4)

Brief Specification

Product - Radius Corner U Section Pipe Casing

Core material - 9mm moisture resistant mdf

Finish - Standard White (paintable) or White Gloss

Fittings - See table below

Accessories - Screws, White Caps, Brackets.

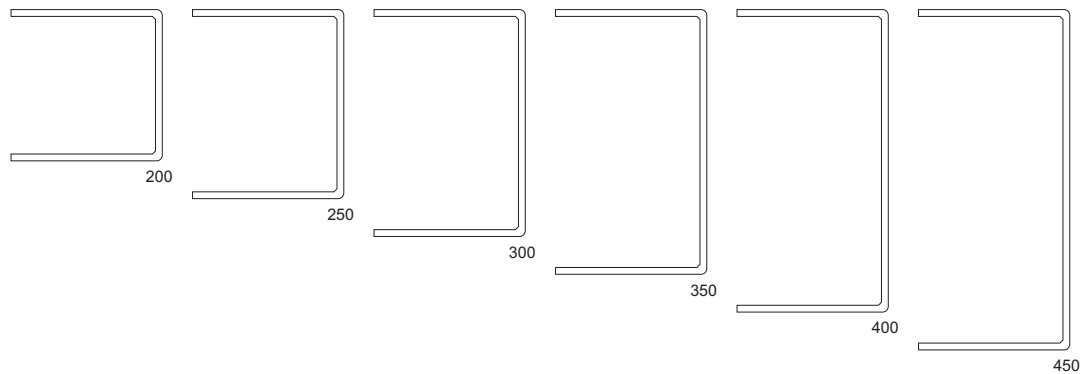
Available Fitting	Maximum Size Limit
Cover Strips	All Sizes
Stop Ends	All Sizes
Inside Corners (standard)	Depth 250mm ; Height 450mm
Inside Corners (reverse angle)	Depth 200mm ; Height 300mm
Outside Corners	Depth 250mm ; Height 450mm



BSMW Products Limited
Birds Royd Lane
Brighouse
West Yorkshire
HD6 1LQ

Tel: 01484 713748
Email: sales@pipecasings.co.uk
Web: www.pipecasings.co.uk

Notes

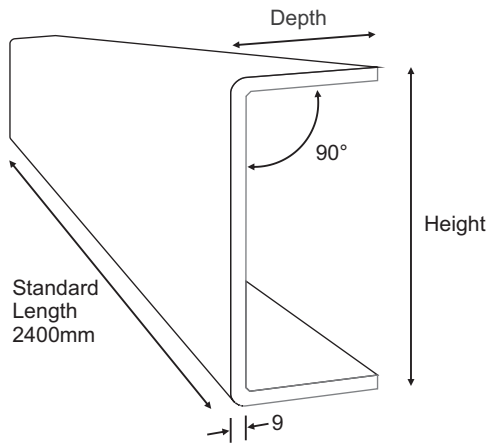


200mm Deep Sections (1 : 10)

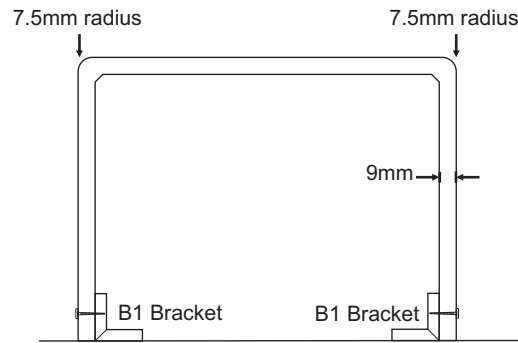
Drawing Title

Zylo Pipe Casing
U Profile Sections
200mm Deep

Drawing No. U / 200		Revision -
Size A4	Scale See Drawing	Date Nov 2016



Perspective View (N.T.S.)



Typical Installation Detail (1 : 4)

Brief Specification

Product - Radius Corner U Section Pipe Casing

Core material - 9mm moisture resistant mdf

Finish - Standard White (paintable) or White Gloss

Fittings - See table below

Accessories - Screws, White Caps, Brackets.

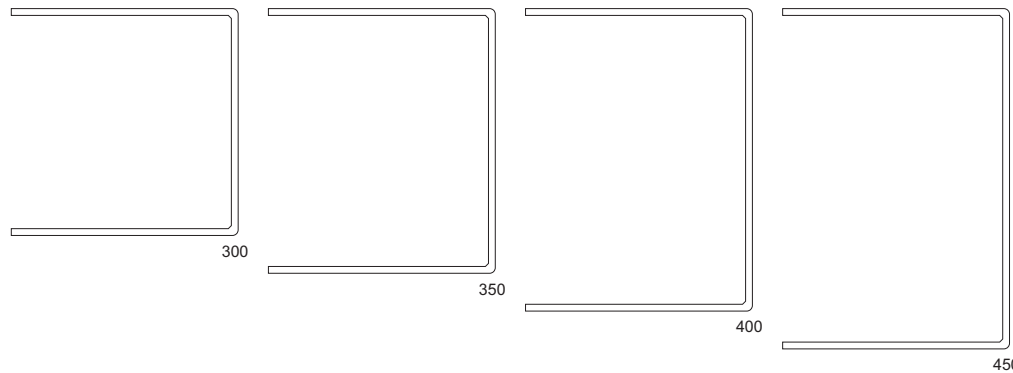
Available Fitting	Maximum Size Limit
Cover Strips	All Sizes
Stop Ends	All Sizes
Inside Corners (standard)	Depth 250mm ; Height 450mm
Inside Corners (reverse angle)	Depth 200mm ; Height 300mm
Outside Corners	Depth 250mm ; Height 450mm



BSMW Products Limited
Birds Royd Lane
Brighouse
West Yorkshire
HD6 1LQ

Tel: 01484 713748
Email: sales@pipecasings.co.uk
Web: www.pipecasings.co.uk

Notes

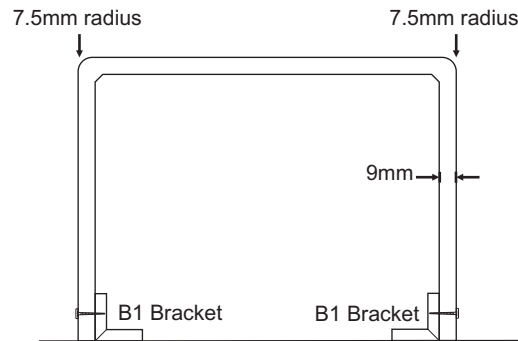
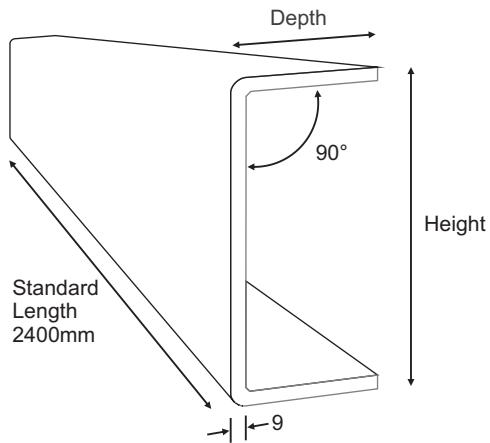


250mm Deep Sections (1 : 10)

Drawing Title

Zylo Pipe Casing
U Profile Sections
250mm Deep

Drawing No. U / 250		Revision -
Size A4	Scale See Drawing	Date Nov 2016



Typical Installation Detail (1 : 4)

Brief Specification

Product - Radius Corner U Section Pipe Casing

Core material - 9mm moisture resistant mdf

Finish - Standard White (paintable) or White Gloss

Fittings - See table below

Accessories - Screws, White Caps, Brackets.

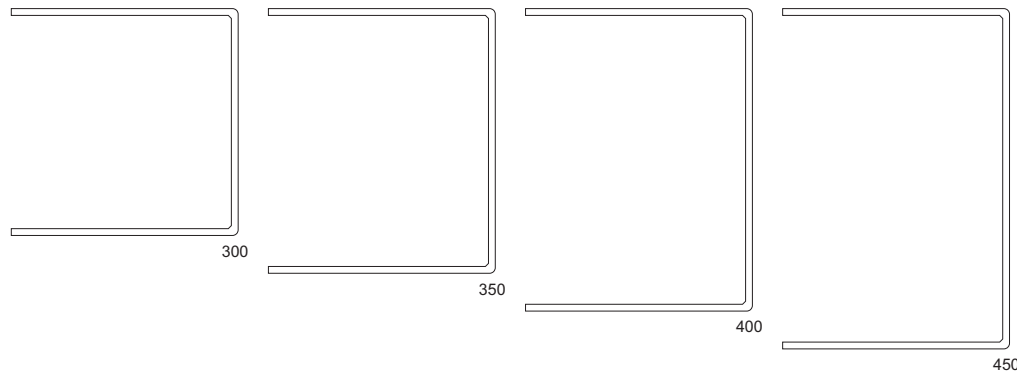
Available Fitting	Maximum Size Limit
Cover Strips	All Sizes
Stop Ends	All Sizes
Inside Corners (standard)	Depth 250mm ; Height 450mm
Inside Corners (reverse angle)	Depth 200mm ; Height 300mm
Outside Corners	Depth 250mm ; Height 450mm



BSMW Products Limited
Birds Royd Lane
Brighouse
West Yorkshire
HD6 1LQ

Tel: 01484 713748
Email: sales@pipecasings.co.uk
Web: www.pipecasings.co.uk

Notes

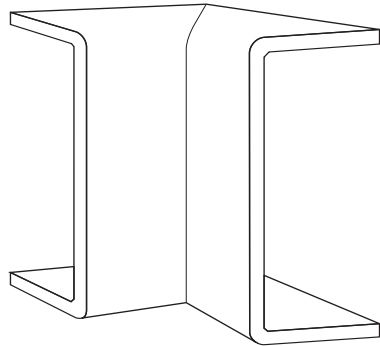


300mm Deep Sections (1 : 10)

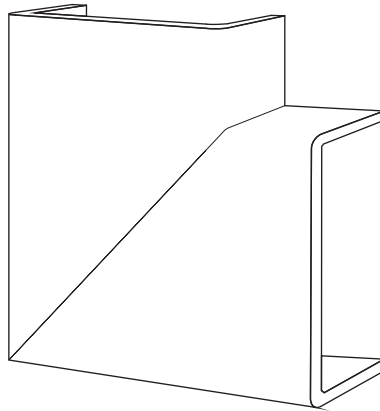
Drawing Title

**Zylo Pipe Casing
U Profile Sections
300mm Deep**

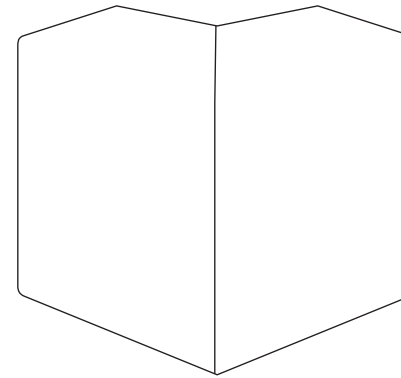
Drawing No. U / 300		Revision -
Size A4	Scale See Drawing	Date Nov 2016



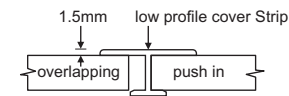
**Inside Corner
(Standard)**



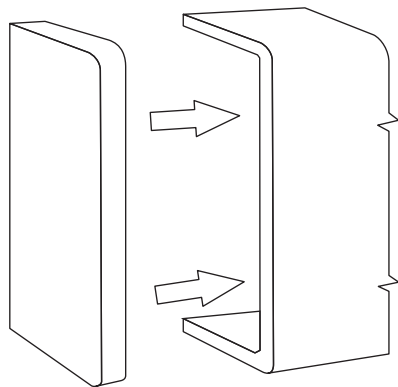
**Inside Corner
(Reverse Angle)**



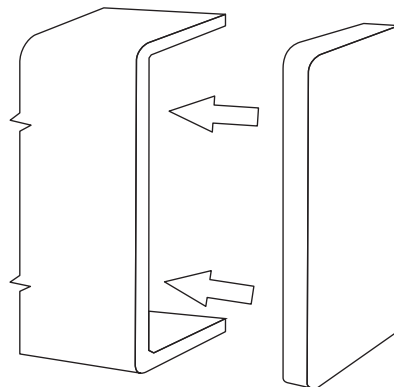
Outside Corner



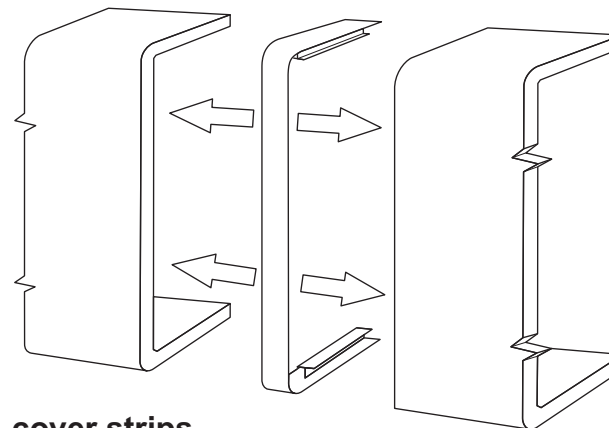
Cover Strip Joint Detail (1 : 2)



Stop End (lhs)



Stop End (rhs)



cover strips

Notes

Drawing Title

**Zylo Pipe Casing
U Profile Sections
Fitting Details**

Drawing No. U / Fittings		Revision -
Size A4	Scale N.T.S.	Date Nov 2016