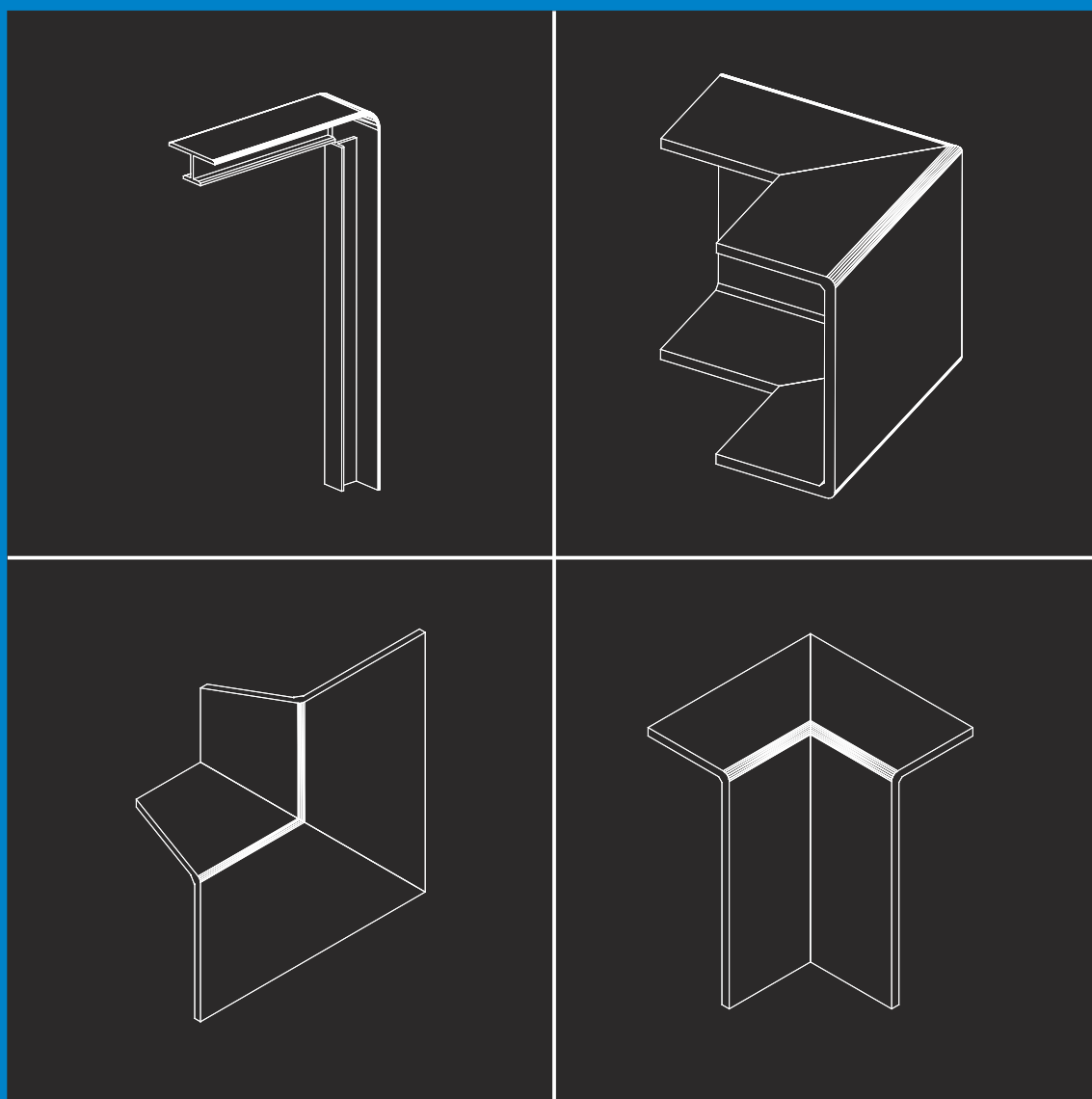
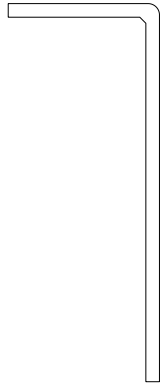


# ® Zylo

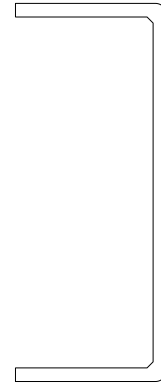
## 3 D Drawings User Guide



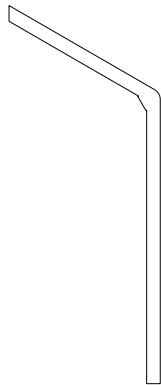
# Profile Shapes



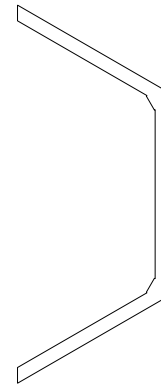
**L Section**



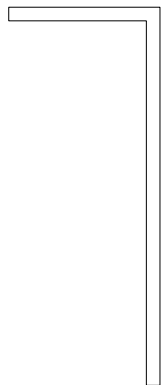
**U Section**



**R Section**



**C Section**



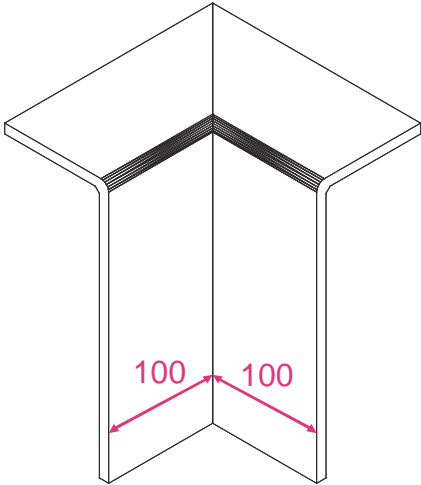
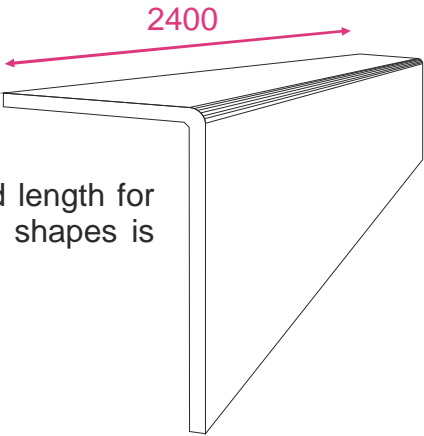
**BX2 Section**



**BX3 Section**

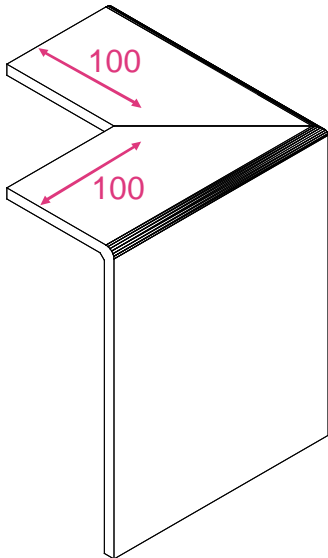
# Fitting Sizes

The standard length for all six profile shapes is 2400mm

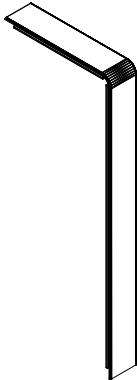


**Inside Corner**

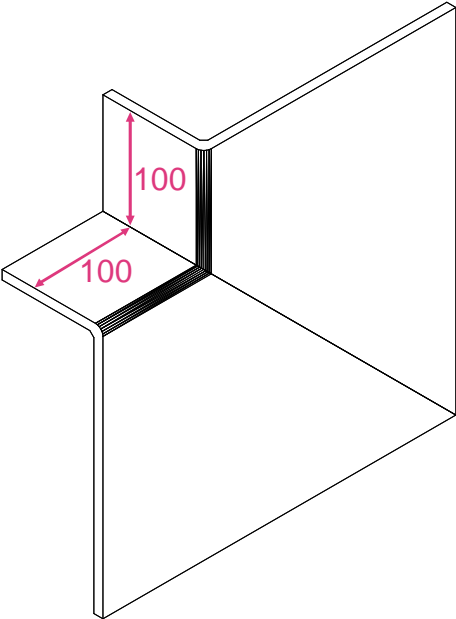
Corner fittings for all six profile shapes have an extended leg of 100mm throughout the entire range



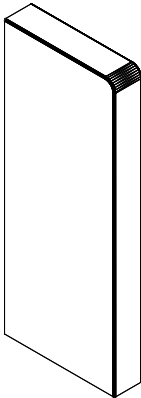
**Outside Corner**



**Cover Strip**

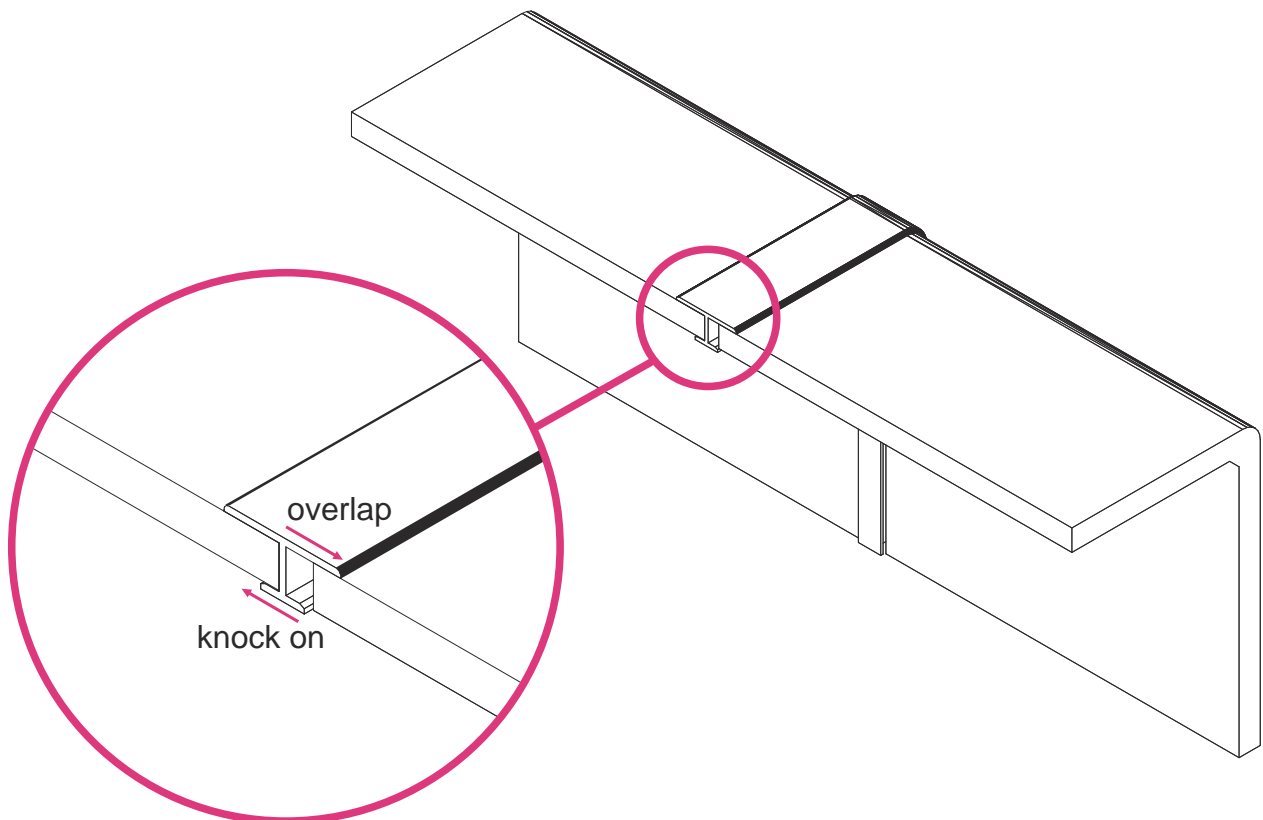
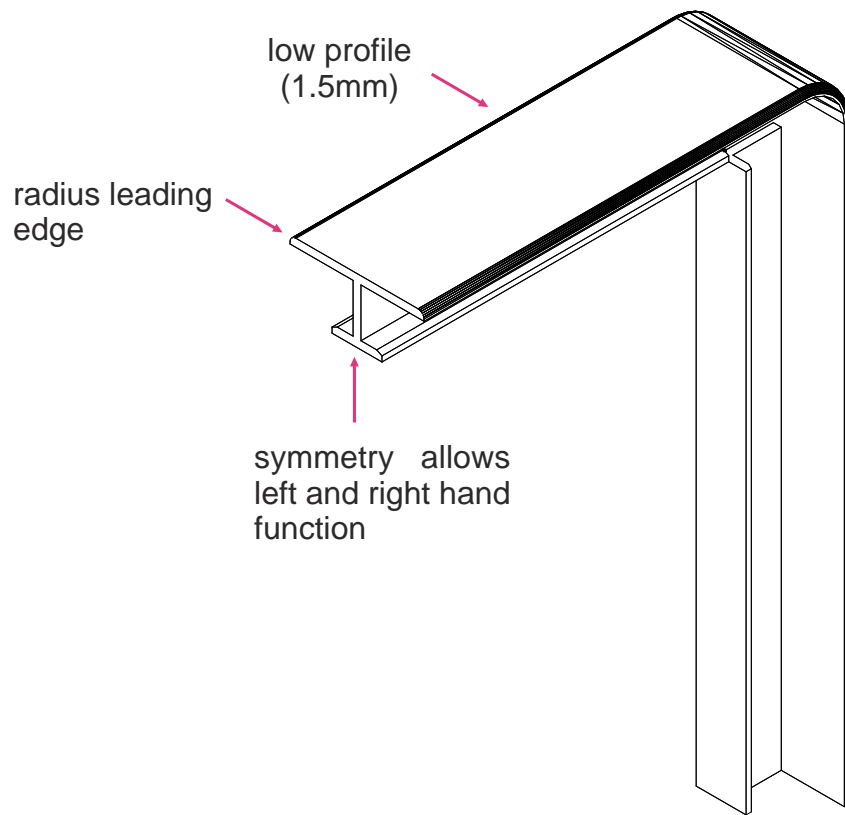


**Reverse Angle Inside Corner**

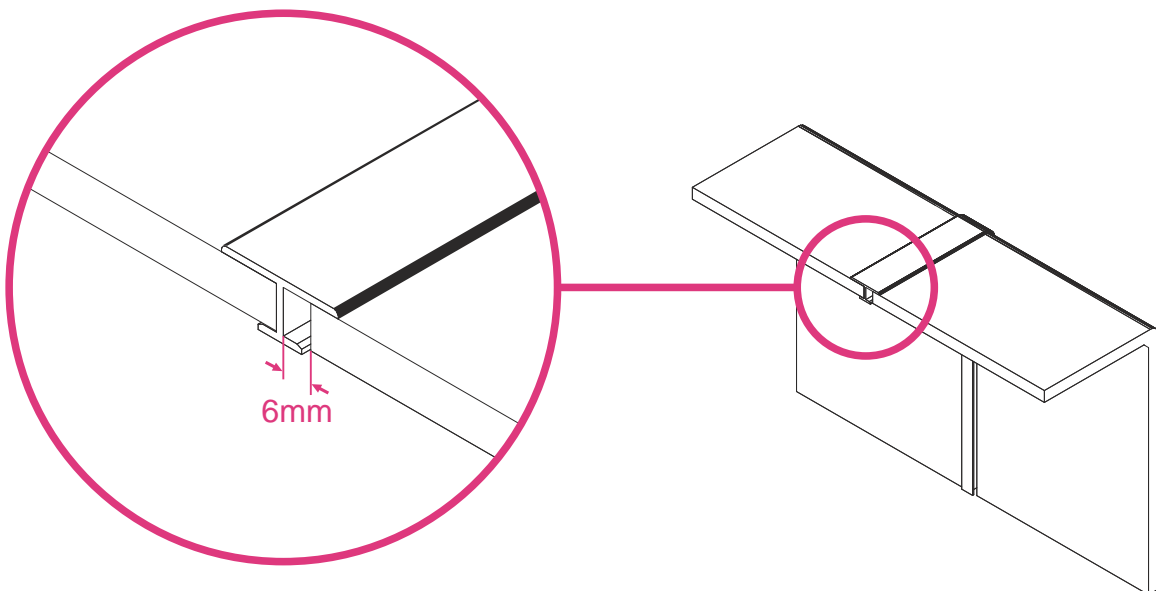
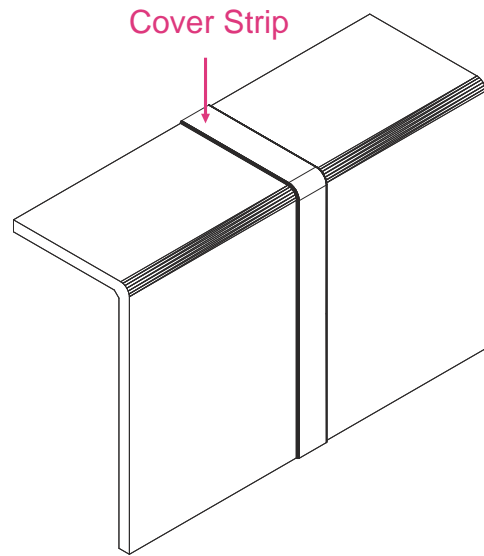
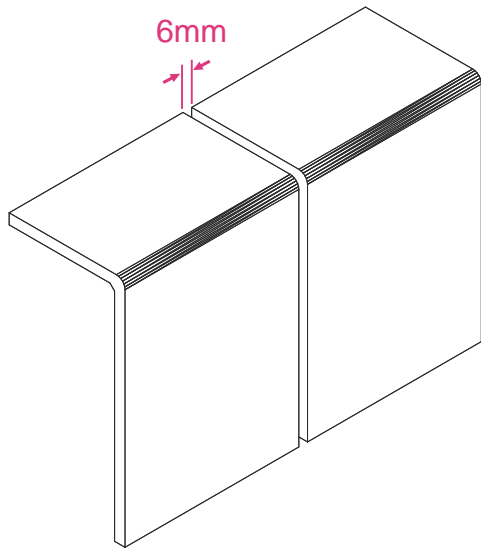


**Stop End**

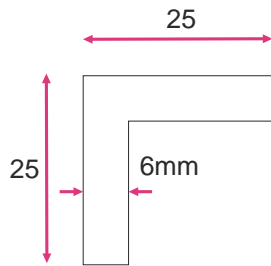
# Cover Strips Details



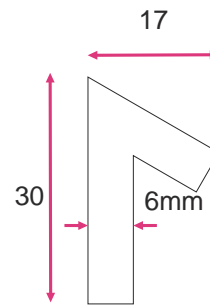
# Component Spacing



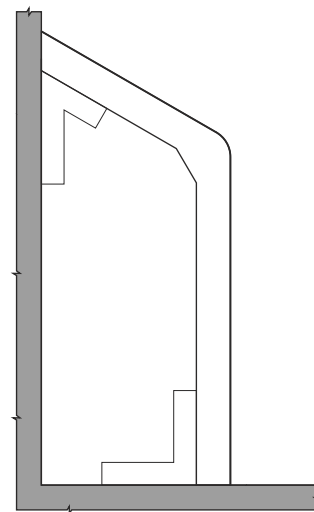
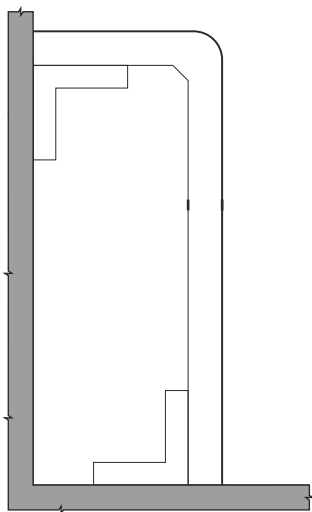
# Proprietary Brackets



**B1 Bracket**



**B2 Bracket**



**Pipe Casing & Pipe Boxing Bracketing**